

Fire Assay Consumables



We have an extensive range of approved fire assay consumables. Our range has been trialled and qualified by leading international fire assay laboratories. Although based in Australia, Annexus WA supplies our comprehensive range of products to customers around the world (Africa, Australia, Asia, SEA, Europe, North and South America).

SOURCE TO SITE

Our aim is to shorten the supply chain and supply product direct from our manufacturing facility to your chosen destination (Laboratory or Warehouse).

COMPREHENSIVE RANGE

Annexus WA can offer you a complete package by managing the procurement cycle, design, engineering, production, quality assurance, clearance and delivery of our range to your facility.

STOCK HOLDING OR DIRECT DELIVERIES

Annexus WA will either produce and hold stock for smaller deliveries (cartons, pallets, crates, LCL) or deliver larger volumes (20/40fcl) direct to your facility.

All our products are produced using fully automated equipment ensuring the consistent delivery of high-quality products.

You have a need,
we have a solution



Fire Assay Crucibles

We offer a comprehensive range of crucible sizes and have the ability to make custom sizes depending on our customers' requirements. Our range of crucibles have a well-deserved reputation in the market for multiple firings. The material used provides high thermal shock and corrosion resistant properties ensuring a longer multi use crucible. This provides our customer with the important benefits of reducing the cost per firing and ultimately increasing profitability.

Uniformly dimensional crucibles are crucial in modern assaying equipment, and as such, Annexus WA crucibles are produced using fully automated equipment ensuring the consistent delivery of a high-quality product.



Part no.	AKA	Dims	Qty Per Crate	Ctn Per 20cfl
FAC030G-EC	30G	ø88 x 107mm	2,100	42,000
FAC040G-EC	40G	ø88 x 135mm	1,785	35,700
FAC045G-EC	45G	ø95 x 159mm	1,235	24,700
FAC050G-EC	50G	ø105 x 148mm	1,530	30,600
FACAPOT-EC	APOT	ø105 x 132mm	972	19,440
FAC055G-EC	55G	ø88 x 155mm	1,296	25,920
FAC065G-EC	65G	ø105 x 165mm	1,425	22,800
FAC075G-EC	75G	ø110 x 200mm	900	18,000
FAC100G-EC	100G	ø124 x 178mm	770	15,400

Fire Assay Cupels

As the cupellation process is the last step in the Fire Assaying process it is critical that accuracy and consistency of supply is adhered to. Our aim is to supply cupels with a high magnesia content and low moisture percentage to ensure correct absorption levels and reduction in cracking. Temperature range 900 - 1000°C

Annexus WA also supplies other items, than those listed below, so please discuss your requirements with your Annexus WA representative.



Part no.	AKA	Dims	Qty Per Ctn	Ctn Per Pallet	Qty Per 20cfl	PB Abs
FAP06A-FC	6A	ø40 x 25.4mm	300	48	288,000	33.25 G
FAP07A-FC	7A	ø39.7 x 28.5mm	300	48	288,000	41.3 G
FAP7AL-FC	7AL	ø39.7 x 28.5mm	420	40	336,000	38.5 G
FAP7AS-FC	7AS	ø40 x 34mm	240	40	192,000	50.4 G
FAP08A-FC	8A	ø45.3 x 35mm	200	48	192,000	50.4 G
FAP8AS-FC	8AS	ø44.3 x 27.1mm	300	48	288,000	70.35 G
FAP09A-FC	9A	ø44.3 x 27.1mm	300	48	288,000	84.17 G

Cupel Size	Height "H"	Top Diam. "D"	Base Diam. "B"	Cup Diam. "D1"	Depth of Cup "C"	Cup Ridge Width "R"	Cup Ridge Height "H1"	Approx. Weight (g)	Pb Absorption @70% (g)
6A	25.4	40.00	30.00	32.7	6.0	3.7	12.3	47.5	32.25
7A	28.5	39.7	30.00	31.2	9.0	4.3	11.8	59.0	41.30
7AL	28.5	39.7	30.0	31.2	6.0	4.3	12.3	55.0	38.5
7AS	34.0	40.0	30.0	31.0	12.0	4.5	14.0	72.0	50.40
8A	35.0	45.3	36.9	38.0	13.0	3.7	12.5	100.5	70.35
9	29.0	51.0	42.1	40.0	9.0	5.0	10.5	109.0	76.30

Kiln Batts

Annexus WA supply a high quality cordierite-mullite Kiln Batt, these batts will go a long way to help preserve the floor of your kiln and thus the life span of your kiln itself. We offer a comprehensive range of Kiln Batt sizes and if these sizes are not what you are looking for, please let us know as we can manufacture or cut to your requirements. The Cordierite-Mullite material offers a high temperature, thermal resistance solution. Maximum operating temperature of 1300°C

Part no.	DIMS
FAB424213-D	420 x 420 x 13mm
FAB452515-D	450 x 250 x 13mm
FAB452520-D	450 x 250 x 20mm
FAB616120-D	610 x 610 x 25mm
FAB452525-D	450 x 250 x 25mm
FAB564825-D	560 x 480 x 25mm
FAB615425-D	610 x 540 x 25mm
FAB616125-D	610 x 610 x 25mm
FAB616525-D	610 x 650 x 25mm
FAB656525-D	650 x 650 x 25mm



D-Mould Muffles & Vents

Annexus WA supplies an extensive range of replacement D-Mould Muffles and Vents for your cupellation furnaces. The Annexus WA muffles and vents are renowned for extending the maintenance requirements for high usage furnaces, and therefore, reduces operational downtime, maintenance and repair costs.

Sizes: No. 3 Muffle & Vent No. 6 Muffle & Vent
 No. 4 Muffle & Vent No. 7 Muffle & Vent
 No. 5 Muffle & Vent No. 8 Muffle & Vent

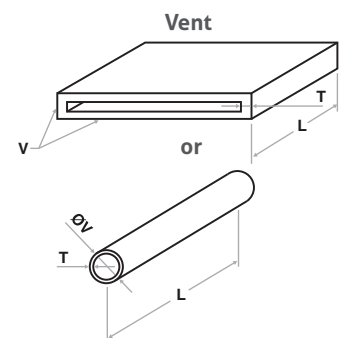
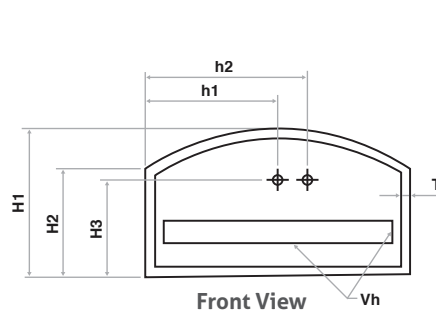
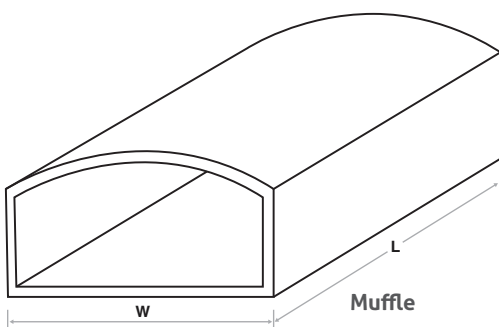
Annexus WA uses the most chemically suitable raw materials to meet the robust handling and temperature requirements of the precious metal assayers. The material formulation and firing methodology produces high quality, long lasting furnace liners that have exceptional thermal conductivity. Annexus WA fired silicon carbide liners outlast and out perform any comparable cast refractory liner available.

Muffle Dimensions

Dim (mm)	Dimension Description	Part No. FADM						
		01	03-2H	04-2H	05-2H	06-2H	07-2H	08R
W	Width	250	250	300	530	530	650	735
L	Length	390	385	480	610	610	610	700
H1	Overall Height	180	180	245	350	350	355	430
H2	Height of Sides	180	180	180	260	260	260	310
h1	Distance of 1st $\varnothing 20$ hole from side	65	65	150	265	265	325	367.5
h2	Distance of 2nd $\varnothing 20$ hole from side	-	185	200	340	340	400	-
h3	Distance of $\varnothing 20$ holes from base	140	140	200	300	280	280	285
T	Side Wall Thickness	15	15	20	25	25	25	25
Vh	Vent Hole Dimensions \varnothing or H X W	$\varnothing 55$	-*	260x70	480x80	$\varnothing 50$	$\varnothing 50$	480x80
	Vent Hole Location - Top or Rear	R	R	R	R	T	T	R

Vent Dimensions

Dim (mm)	Dimension Description	Part No. FAVT				
		1	3*	4	5/8	6/7
V	Exterior Dimensions \varnothing or H X W	$\varnothing 50$	250x50	265x65	475x75	$\varnothing 100$
L	Length	250	186	200	250	380
T	Side Wall Thickness	5	15	25	25	25



You have a need, we have a solution

www.annexuswa.com



Fibre Blankets & Boards

Annexus WA offer a range of fibre blankets and boards to the industry. We have a range of densities, sizes and weights available. Our blankets and boards are packed in cartons to ensure protection and can be supplied individually or palletised for ease of delivery and application.



Ceramic Anchors

Annexus WA supply a range of Ceramic Anchors used to secure fibre blanket to the furnace door. These are an industry standard product and can be supplied with round or square holes, with or without bolts. We will be happy to work with you on your requirement.

Laboratory Products

Annexus WA supplies high grade ceramics for analytical services including academic research, exploration, environmental baseline studies, refined metals analysis and mine development and production.

Annexus WA designs and manufactures a wide range of innovative, long lasting and cost-effective laboratory products. We use a range of materials depending on the nature of the application, (non-porous, 99.7% purity alumina, silicon carbide supporting components, cordorite-mullite kiln furniture, fused silica, Zirconia).

- ✓ Laboratory Ware Products
- ✓ Trays
- ✓ Milling jars
- ✓ Lids & dishes
- ✓ Combustion boats
- ✓ Mortars & pestles
- ✓ Conical crucibles
- ✓ Cylindrical crucibles
- ✓ Furnace tube liners, sheaths (closed/open)
- ✓ Grinding media
- ✓ Carbon sulphur crucibles
- ✓ TGA crucibles
- ✓ TGA carousels



Get in Touch

Annexus WA
Unit 3/68 Callaway Street
Wangara WA 6065
Australia

Phone +61 (08) 9302 2576
Mobile +61 (0) 408 607 465
E-mail solutions@annexuswa.com



www.annexuswa.com

